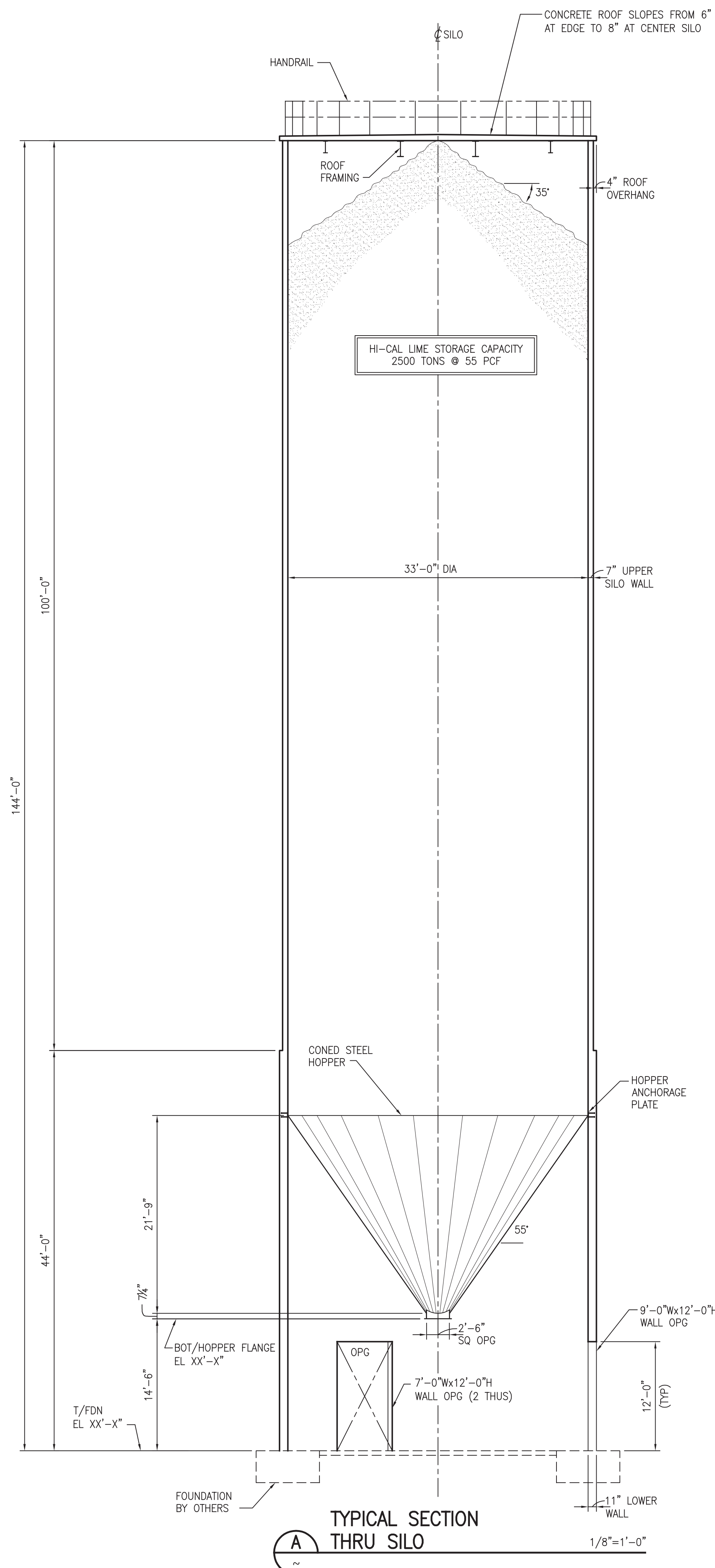
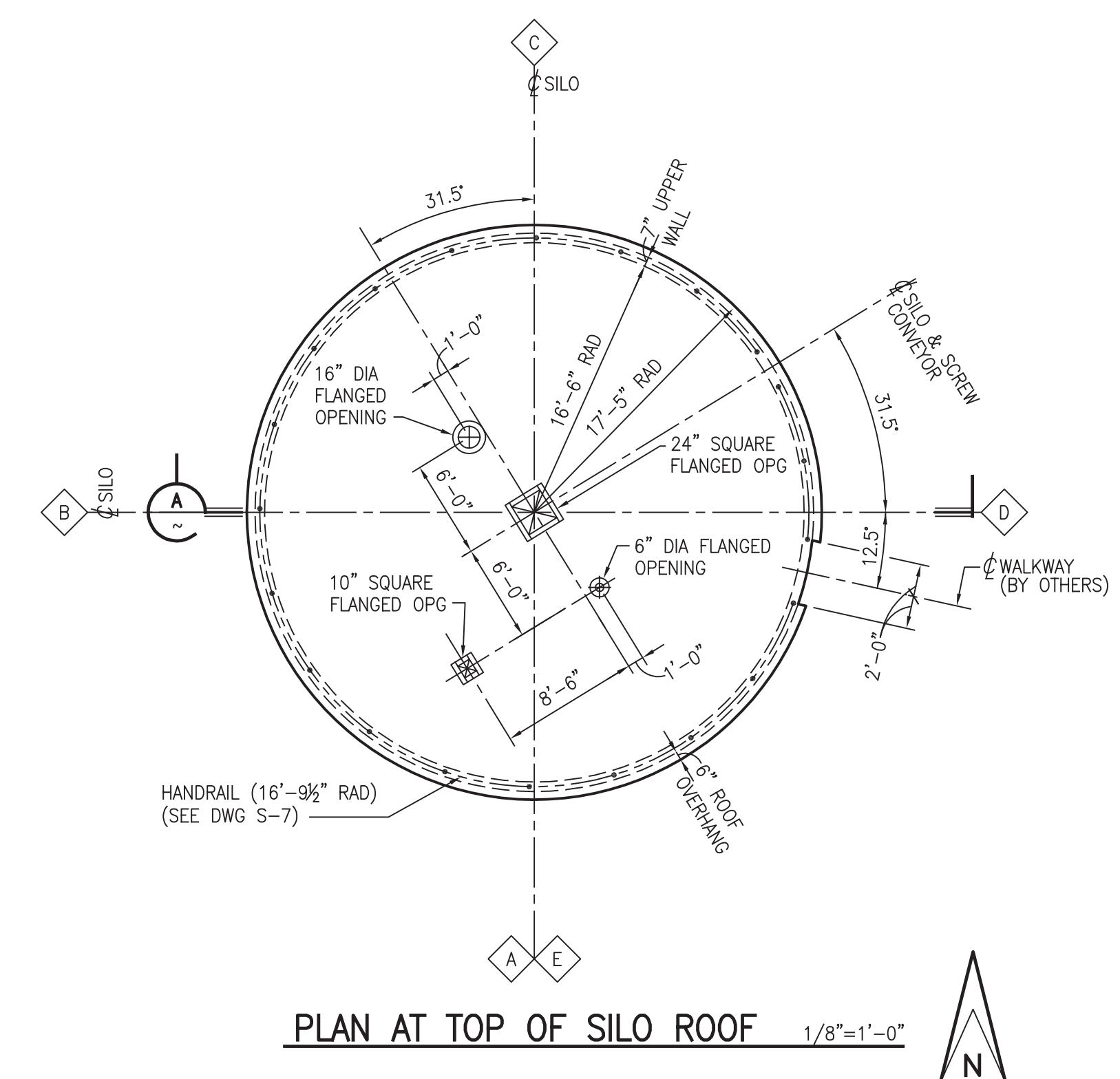


DRAWING INDEX

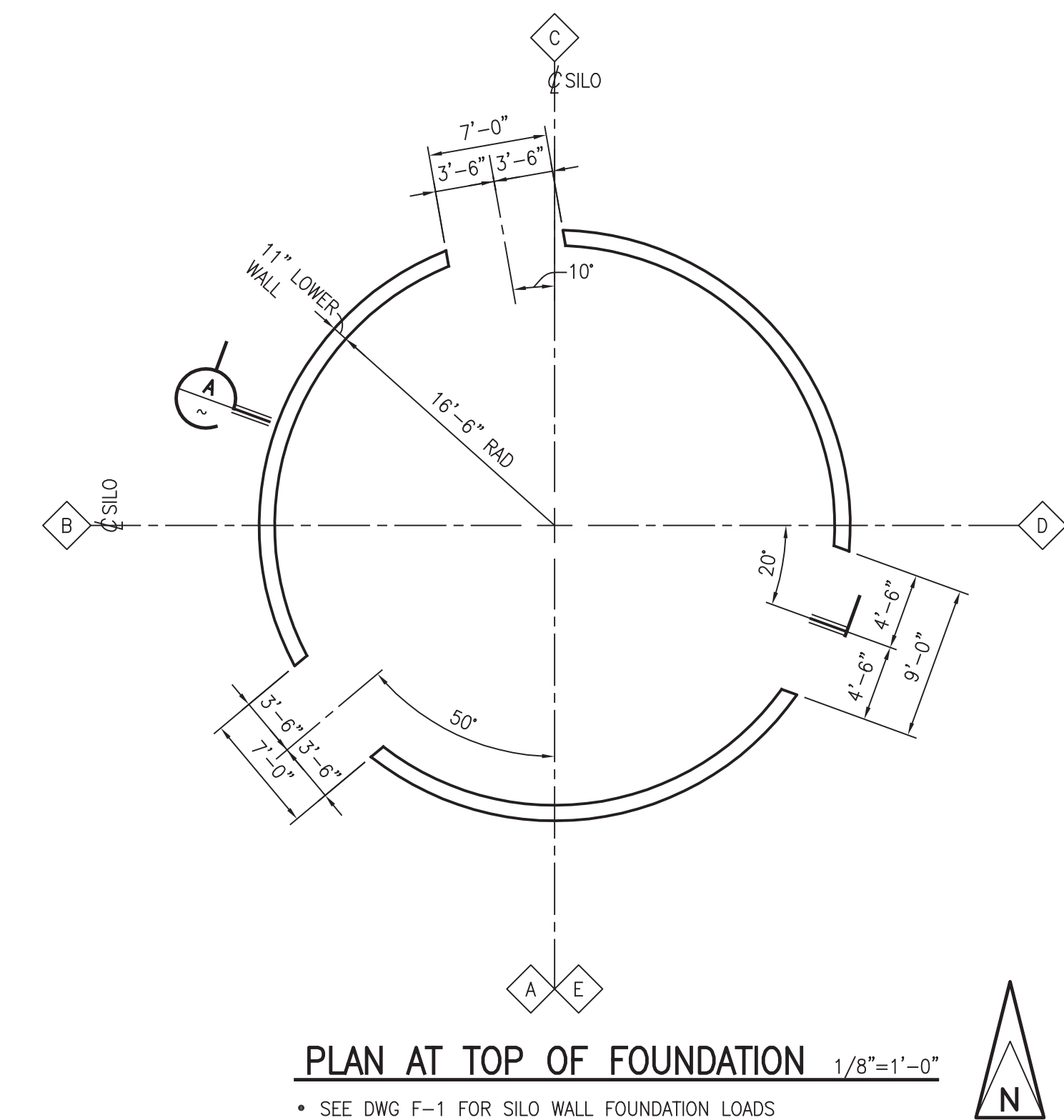
GA-1	GENERAL ARRANGEMENT
GN-1	GENERAL NOTES
F-1	FOUNDATION LOADS AND DOWEL PLAN
S-1	DEVELOPED SILO WALL w/REINFORCEMENT
S-2	SILO WALL SECTIONS, DETAILS AND BAR LIST
S-3	SILO WALL HOPPER ANCHORAGE PLATE
S-4	SILO ROOF FRAMING PLAN
S-5	SILO ROOF SLAB PLAN
S-6	SILO ROOF SLAB EMBEDS
S-7	SILO ROOF HANDRAIL PLAN AND DETAILS
S-8	SUSPENDED STEEL HOPPER DETAILS



TYPICAL SECTION THRU SILO
1/8"=1'-0"



PLAN AT TOP OF SILO ROOF 1/8"=1'-0"



PLAN AT TOP OF FOUNDATION 1/8"=1'-0"

• SEE DWG F-1 FOR SILO WALL FOUNDATION LOADS

Marietta SILOS
2417 WATERFORD RD.
MARIETTA, OHIO 45750
740-373-2822
740-376-2635 FAX
PROJECT #0512